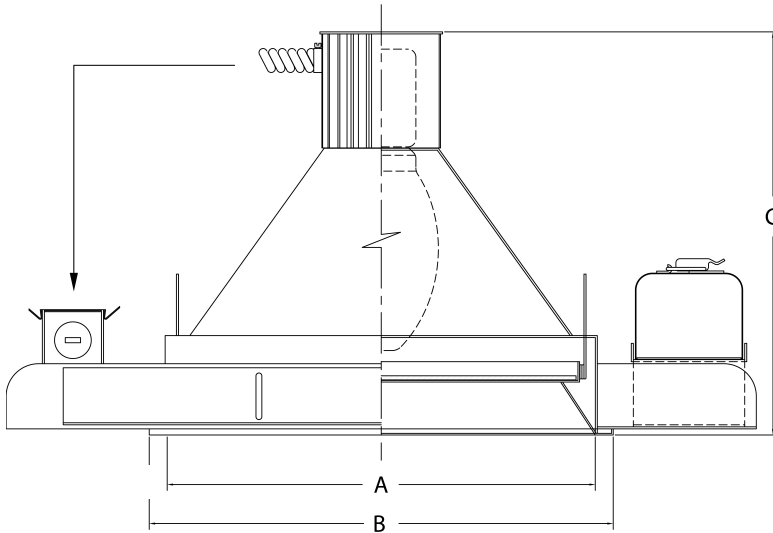


SPECIFICATION SERIES

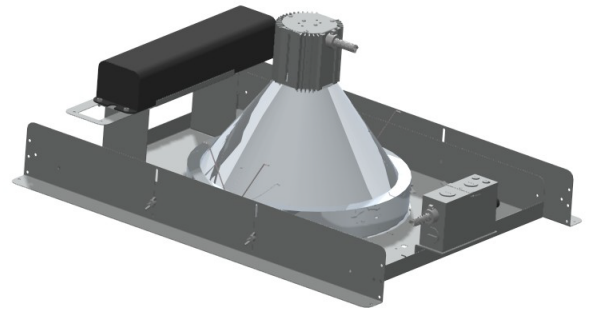
PROJECT _____
 TYPE _____

13" RECESSED HID MP-LAMP



FEATURES:

- LOW IRIDESCENT REFLECTOR
- HEAVY EXTRUDED ALUMINUM HEAT SINK
- GALVANIZED STEEL FRAME
- SUITABLE FOR THROUGH BRANCH CIRCUIT WIRING
- FACTORY PRE-WIRED FOR EASY INSTALLATION
- INSULATION DETECTOR
- UL LISTED UNIVERSAL VOLTAGE ELECTRONIC BALLAST



| | A | B | C | LENGTH | WIDTH | CUT OUT |
|------|--------|--------|--------|--------|--------|---------|
| INCH | 13.25 | 14.25 | 12.50 | 23.00 | 18.00 | 13.50 |
| MM | 336.55 | 361.95 | 317.50 | 584.20 | 457.20 | 342.90 |

ORDER INFORMATION:

| SERIES | LAMP | VOLTS | REFLECTOR | TRIM | COLOR | LENS | OPTION | OPTION |
|-----------|---------|---------|-----------|------|-------|------|--------|--------|
| SP-VOML13 | 175W-MP | 120/277 | CL | CLW | MTL | CGL | QRS | CP |
| | 250W-MP | | CWW | MWT | WHT | C73 | F | WET |
| | | | | BMB | BLK | FNL | | |
| | | | | | BRZ | | | |

OPTIONS:

| | | | |
|-----|-------------------------|-----|--------------------------------|
| CL | CLEAR | MTL | BRUSHED/POLISHED ALUMINUM DOOR |
| CWW | CLEAR WALL WASH | WHT | WHITE POWDER COAT DOOR |
| CLW | CLEAR WHITE TRIM | BLK | BLACK POWDER COAT DOOR |
| MWT | MATTE WHITE TRIM | BRZ | BRONZE POWDER COAT DOOR |
| BMB | BLACK BAFFLE TRIM | F | FUSE |
| CGL | CLEAR GLASS LENS* | QRS | HOT / COLD RE-STRIKE* |
| C73 | CORNING PATTERN 73 LENS | CP | CHICAGO PLENUM* |
| FNL | FRESNEL LENS | WET | UL WET LOCATION* |

* PLEASE CONSULT FACTORY

LIGHT ONE, INC. P.O. BOX 389-PLAINFIELD, IL 60544 • TEL:773-7478100 • FAX:773-747-8778

WWW.LIGHTONEINC.COM