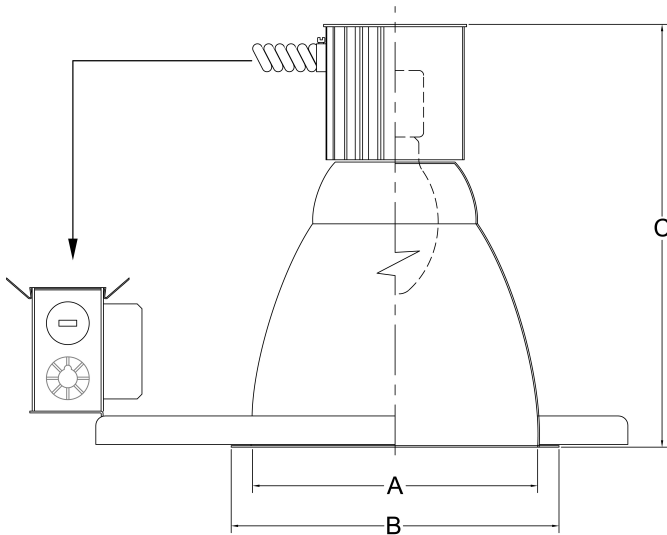


SPECIFICATION SERIES

PROJECT _____
 TYPE _____

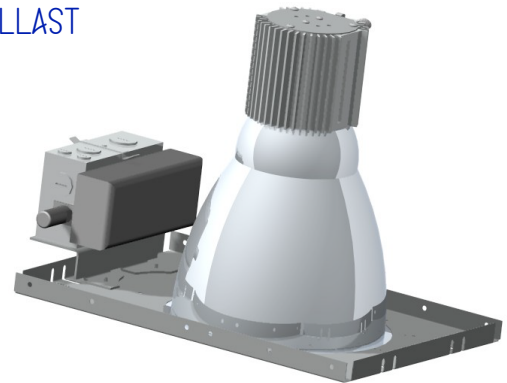
8" RECESSED HID MP-LAMP



FEATURES:

- LOW IRIDESCENT REFLECTOR
- HEAVY EXTRUDED ALUMINUM HEAT SINK
- GALVANIZED STEEL FRAME
- SUITABLE FOR THROUGH BRANCH CIRCUIT WIRING
- FACTORY PRE-WIRED FOR EASY INSTALLATION
- INSULATION DETECTOR
- UL LISTED UNIVERSAL VOLTAGE ELECTRONIC BALLAST

	A	B	C	LENGTH	WIDTH	CUT OUT
INCH	7.500	8.625	11.000	15.00	11.75	8.00
MM	190.50	219.08	279.40	381.00	298.45	203.20



ORDER INFORMATION:

SERIES	LAMP	VOLTS	REFLECTOR	TRIM	OPTION	OPTION	OPTION	OPTION
SP-V0M8	50W-MP	120/277	CL	CLW	CGL	QRS	CP	SCA
	70W-MP		CWW	MWT	C73	F	WET	
	100W-MP			BMB	FNL			
	150W-MP							

OPTIONS:

CL	CLEAR	FNL	FRESNEL LENS
CWW	CLEAR WALL WASH	F	FUSE
CLW	CLEAR WHITE TRIM	QRS	HOT / COLD RE-STRIKE*
MWT	MATTE WHITE TRIM	CP	CHICAGO PLENUM*
BMB	BLACK BAFFLE TRIM	WET	UL WET LOCATION*
CGL	CLEAR GLASS LENS*	SCA	SLOPE CEILING ADAPTOR*
C73	CORNING PATTERN 73 LENS		

* PLEASE CONSULT FACTORY

LIGHT ONE, INC. P.O. BOX 389-PLAINFIELD, IL 60544 • TEL:773-7478100 • FAX:773-747-8778

WWW.LIGHTONEINC.COM