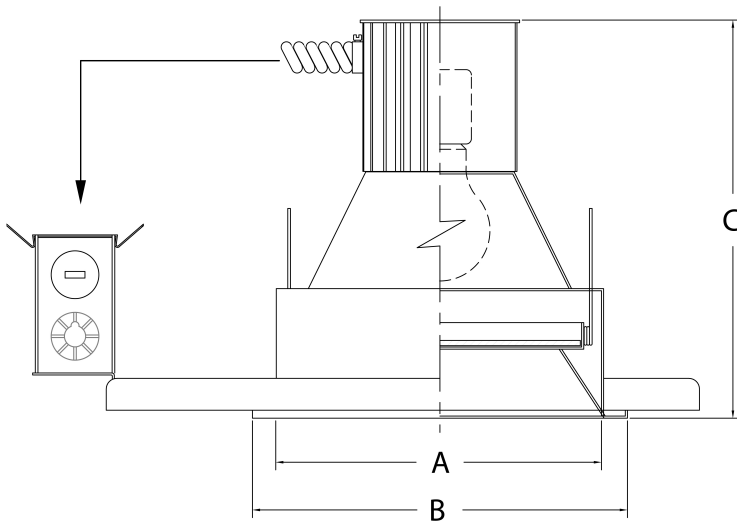


SPECIFICATION SERIES

PROJECT _____
 TYPE _____

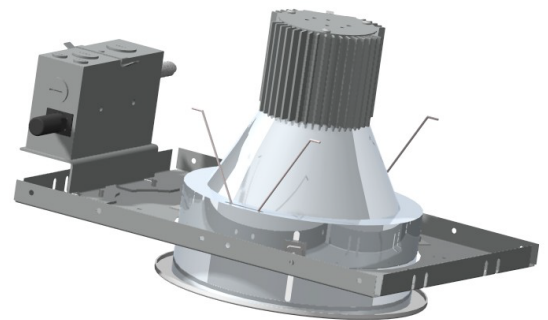
8" RECESSED INCAN A-LAMP LENSELIGHT



FEATURES:

- LOW IRIDESCENT REFLECTOR
- HEAVY EXTRUDED ALUMINUM HEAT SINK
- GALVANIZED STEEL FRAME
- SUITABLE FOR THROUGH BRANCH CIRCUIT WIRING
- FACTORY PRE-WIRED FOR EASY INSTALLATION
- INSULATION DETECTOR

	A	B	C	LENGTH	WIDTH	CUT OUT
INCH	7.375	8.50	10.00	14.00	11.75	8.00
MM	187.33	215.90	254.00	355.60	298.45	203.20



ORDER INFORMATION:

SERIES	LAMP	VOLTS	REFLECTOR	TRIM	COLOR	LENS	OPTION	OPTION
SP-VIAL8	40W	120	CL	CLW	MTL	CGL	TP	CP
	60W			MWT	WHT	C73	F	WET
	75W				BLK	FNL		
					BRZ			

OPTIONS:

CL	CLEAR		WHT	WHITE POWDER COAT DOOR
CLW	CLEAR WHITE TRIM		BLK	BLACK POWDER COAT DOOR
MWT	MATTE WHITE TRIM		BRZ	BRONZE POWDER COAT DOOR
277	277 VOLTS*		TR	TAMPER PROOF DOOR*
CGL	CLEAR GLASS LENS*		F	FUSE
C73	CORNING PATTERN 73 LENS		CP	CHICAGO PLENUM*
FNL	FRESNEL LENS		WET	UL WET LOCATION*
MTL	BRUSHED/POLISHED ALUMINUM DOOR			

* PLEASE CONSULT FACTORY

LIGHT ONE, INC. P.O. BOX 389-PLAINFIELD, IL 60544 • TEL:773-7478100 • FAX:773-747-8778

WWW.LIGHTONEINC.COM