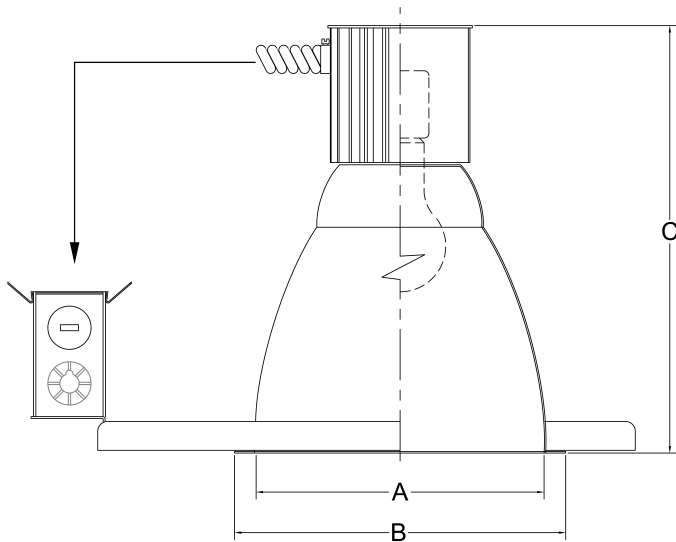


# SPECIFICATION SERIES

PROJECT \_\_\_\_\_  
 TYPE \_\_\_\_\_

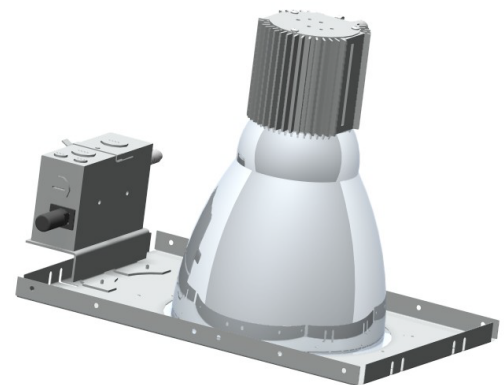
# 8" RECESSED INCAN A-LAMP



	A	B	C	LENGTH	WIDTH	CUT OUT
INCH	7.375	8.50	11	14	11.75	8
MM	187.33	215.90	254	355.60	298.45	203.20

## FEATURES:

- LOW IRIDESCENT REFLECTOR
- HEAVY EXTRUDED ALUMINUM HEAT SINK
- GALVANIZED STEEL FRAME
- SUITABLE FOR THROUGH BRANCH CIRCUIT WIRING
- FACTORY PRE-WIRED FOR EASY INSTALLATION
- INSULATION DETECTOR



## ORDER INFORMATION:

SERIES	LAMP	VOLTS	REFLECTOR	TRIM	OPTION	OPTION	OPTION	OPTION
SP-VIA8	60W	120	CL	CLW	CGL	RF	CP	SCA
	75W		CWW	MWT	C73	F	WET	
	100W			BMB	FNL			
	150W							
	200W							

## OPTIONS:

CL	CLEAR	FNL	FRESNEL LENS
CWW	CLEAR WALL WASH	F	FUSE
CLW	CLEAR WHITE TRIM	277	277 VOLTS*
MWT	MATTE WHITE TRIM	CP	CHICAGO PLENUM*
BMB	BLACK BAFFLE TRIM	WET	UL WET LOCATION*
CGL	CLEAR GLASS LENS*	SCA	SLOPE CEILING ADAPTOR*
C73	CORNING PATTERN 73 LENS	RF	RETROFIT KIT

\* PLEASE CONSULT FACTORY

LIGHT ONE, INC. P.O. BOX 389-PLAINFIELD, IL 60544 • TEL:773-7478100 • FAX:773-747-8778

[WWW.LIGHTONEINC.COM](http://WWW.LIGHTONEINC.COM)