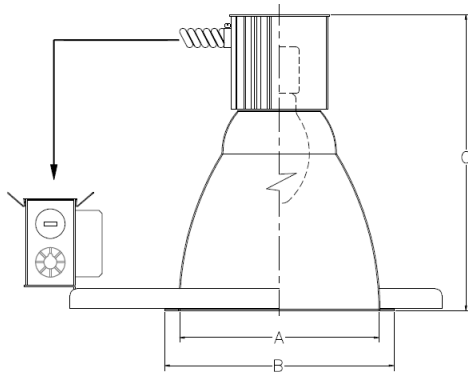
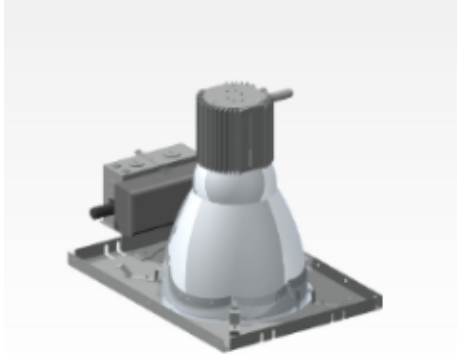


# Specification Series 7.5" Recessed HID Par Lamp

# SP-MP7.5



- Low iridescent ALZAK® reflector with polished self flange
- Heavy extruded aluminum heat sink with adjustable socket strap
- Medium base 4kv pulse rated socket
- Easy access 14 ga. galvanized steel junction box with 2 snap covers
- Electronic ballast dual volt 150 watt max
- Suitable for through branch circuit wiring
- Insulation detector standard
- Factory pre wired for easy field installation
- UL 1598

CONSULT FACTORY FOR PHOTOMETRIC REPORT

	A	B	C	LENGTH	WIDTH	CUT OUT
INCH	7.375	8.50	10	15.75	10	8
MM	187.33	215.90	254	400.05	254	203.20

Type _____	Cat. No. _____
Project: _____	
Notes: _____	

SERIES/SIZE	LAMP	REFLECTOR	VOLT
SP-MP 7.5	70W PAR 38	CL	120/277
SP-MP 7.5	100W PAR 38	CL	120/277
SP-MP 7.5	150W PAR 38	CL	120/277

## options

- |  |  |
|--|--|
| <input type="checkbox"/> CG - CHAMPAGNE GOLD ALZAK®    | <input type="checkbox"/> CP - CHICAGO PLENUM CONSTRUCTION CCEA         |
| <input type="checkbox"/> PW - PEWTER ALZAK®            | <input type="checkbox"/> QRS - HOT/COLD RE-STRIKE CONSULT FACTORY      |
| <input type="checkbox"/> BMB - BLACK BAFFLE TRIM       | <input type="checkbox"/> F - FUSE                                      |
| <input type="checkbox"/> MWT - MATTE WHITE TRIM FLANGE | <input type="checkbox"/> BH- BAR HANGERS                               |
| <input type="checkbox"/> SCA - SLOPE CEILING ADAPTOR   | <input type="checkbox"/> RF - RETRO FIT CONVERSION KIT CONSULT FACTORY |
| <input type="checkbox"/> CGL - CLEAR GLASS LENS        | <input type="checkbox"/>   |

**SP-MP 7.5** - \_\_\_\_\_ - \_\_\_\_\_ - \_\_\_\_\_ - \_\_\_\_\_  
 TYPE LAMP REFLECTOR VOLTAGE OPTIONS

7.5" RECESSED VERTICAL HID PAR LAMP