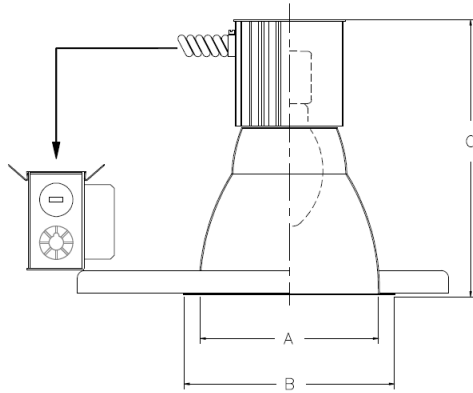
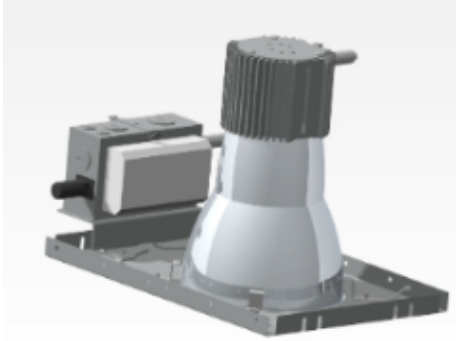


Specification Series 6" Recessed HID Par Lamp

SP-MP6



- Low iridescent ALZAK® reflector with polished self flange
- Heavy extruded aluminum heat sink with adjustable socket strap
- Medium base 4kv pulse rated socket
- Easy access 14 ga. galvanized steel junction box with 2 snap covers
- Electronic dual volt ballast
- Suitable for through branch circuit wiring
- Insulation detector standard
- Factory pre wired for easy field installation
- UL 1598

CONSULT FACTORY FOR PHOTOMETRIC REPORT

	A	B	C	LENGTH	WIDTH	CUT OUT
INCH	6	7.125	9.1875	14.25	8.75	6.50
MM	152.40	180.97	233.36	360.72	222.25	165.10

Type _____	Cat. No. _____
Project: _____	
Notes: _____	

SERIES/SIZE	LAMP	REFLECTOR	VOLT
SP-MP 6	39W PAR 30	CL	120/277
SP-MP 6	70W PAR30	CL	120/277
SP-MP 6	100W PAR 38	CL	120/277

options

- | | |
|--|--|
| <input type="checkbox"/> CG - CHAMPAGNE GOLD ALZAK® | <input type="checkbox"/> CP - CHICAGO PLENUM CONSTRUCTION CCEA |
| <input type="checkbox"/> PW - PEWTER ALZAK® | <input type="checkbox"/> QRS - HOT/COLD RE-STRIKE CONSULT FACTORY |
| <input type="checkbox"/> BMB - BLACK BAFFLE TRIM | <input type="checkbox"/> F - FUSE |
| <input type="checkbox"/> MWT - MATTE WHITE TRIM FLANGE | <input type="checkbox"/> BH- BAR HANGERS |
| <input type="checkbox"/> SCA - SLOPE CEILING ADAPTOR | <input type="checkbox"/> RF - RETRO FIT CONVERSION KIT CONSULT FACTORY |
| <input type="checkbox"/> CGL - CLEAR GLASS LENS | <input type="checkbox"/> |

SP-MP 6 - _____ - _____ - _____ - _____
 TYPE LAMP REFLECTOR VOLTAGE OPTIONS

6" RECESSED VERTICAL HID PAR LAMP