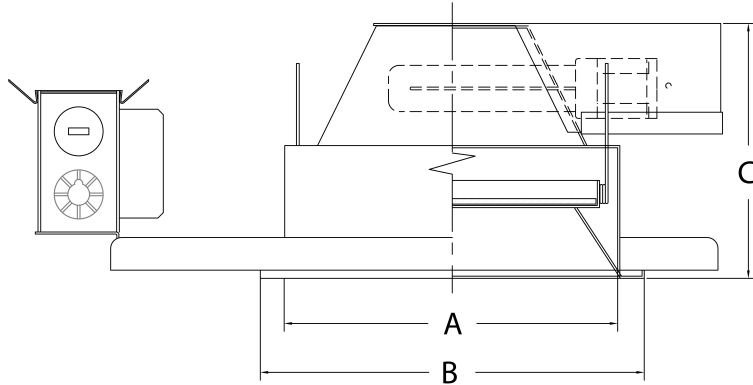


SPECIFICATION SERIES

PROJECT _____
 TYPE _____

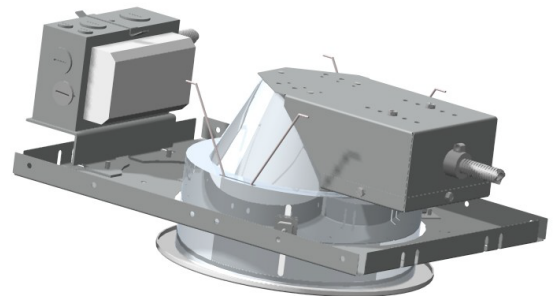
8" RECESSED CFL LENS LIGHT



	A	B	C	LENGTH	WIDTH	CUT OUT
INCH	7.375	8.50	6.50	14.00	11.75	8.00
MM	187.33	215.90	165.10	355.60	298.45	203.20

FEATURES:

- LOW IRIDESCENT REFLECTOR
- HEAVY EXTRUDED ALUMINUM HEAT SINK
- GALVANIZED STEEL FRAME
- SUITABLE FOR THROUGH BRANCH CIRCUIT WIRING
- FACTORY PRE-WIRED FOR EASY INSTALLATION
- UL LISTED UNIVERSAL VOLTAGE ELECTRONIC BALLAST



ORDER INFORMATION:

SERIES	LAMP	VOLTS	REFLECTOR	TRIM	COLOR	LENS	OPTION	OPTION	OPTION
SP-HFL8	1 OR 2-13Q	120/277	CL	CLW	MTL	CGL	DIMA	EM	CP
	1 OR 2-18Q		CWW	MWT	WHT	C73	DIMH	ETS	WET
	1 OR 2-26Q				BLK	FNL	F		
	1 OR 2-32T				BRZ				
	1 OR 2-42T								

OPTIONS:

CL	CLEAR	FNL	FRESNEL LENS
CWW	CLEAR WALL WASH	DIMA	ADVANCE MK10 DIMMING
CLW	CLEAR WHITE TRIM	DIMH	LUTRON HILUME DIMMING
MWT	MATTE WHITE TRIM	EM	EMERGENCY BATTERY PACK
MTL	BRUSHED/POLISHED ALUMINUM DOOR	ETS	EMERGENCY TRANSFER DEVICE
WHT	WHITE POWDER COAT DOOR	SCA	SLOPE CEILING ADAPTOR*
BLK	BLACK POWDER COAT DOOR	F	FUSE
BRZ	BRONZE POWDER COAT DOOR	CP	CHICAGO PLENUM*
CGL	CLEAR GLASS LENS*	WET	UL WET LOCATION*
C73	CORNING PATTERN 73 LENS		

* PLEASE CONSULT FACTORY

LIGHT ONE, INC. P.O. BOX 389-PLAINFIELD, IL 60544 • TEL:773-7478100 • FAX:773-747-8778

WWW.LIGHTONEINC.COM