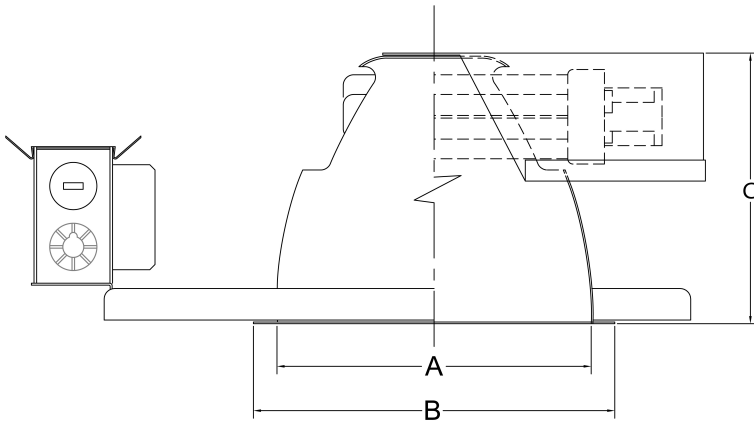


SPECIFICATION SERIES

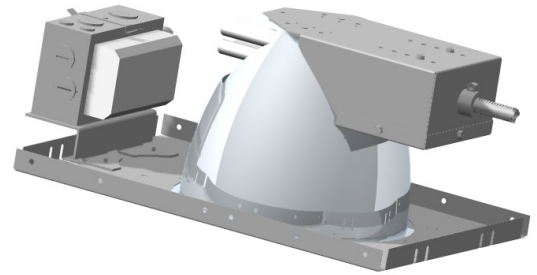
PROJECT _____
 TYPE _____

8" RECESSED CFL



FEATURES:

- LOW IRIDESCENT REFLECTOR
- HEAVY EXTRUDED ALUMINUM HEAT SINK
- GALVANIZED STEEL FRAME
- SUITABLE FOR THROUGH BRANCH CIRCUIT WIRING
- FACTORY PRE-WIRED FOR EASY INSTALLATION
- UL LISTED UNIVERSAL VOLTAGE ELECTRONIC BALLAST



	A	B	C	LENGTH	WIDTH	CUT OUT
INCH	7.500	8.625	11.000	15.000	11.750	8.00
MM	190.50	219.08	279.40	381	298.45	203.20

ORDER INFORMATION:

SERIES	LAMP	VOLTS	REFLECTOR	TRIM	OPTION	OPTION	OPTION	OPTION
SP-HF8	1 OR 2-13Q	120/277	CL	CLW	CGL	DIMA	ETS	CP
	1 OR 2-18T		CWW	MWT	C73	DIMH	EM	WET
	1 OR 2-26T			BMB	FNL	FNL	F	SCA
	1 OR 2-32T							
	1 OR 2-42T							

OPTIONS:

CL	CLEAR	DIMH	LUTRON HILUME DIMMING
CWW	CLEAR WALL WASH	EM	EMERGENCY BATTERY PACK
CLW	CLEAR WHITE TRIM	ETS	EMERGENCY TRANSFER DEVICE
MWT	MATTE WHITE TRIM	SCA	SLOPE CEILING ADAPTOR*
CGL	CLEAR GLASS LENS*	F	FUSE
C73	CORNING PATTERN 73 LENS	CP	CHICAGO PLENUM*
FNL	FRESNEL LENS	WET	UL WET LOCATION*
DIMA	ADVANCE MK10 DIMMING		

* PLEASE CONSULT FACTORY

LIGHT ONE, INC. P.O. BOX 389-PLAINFIELD, IL 60544 • TEL:773-7478100 • FAX:773-747-8778

WWW.LIGHTONEINC.COM