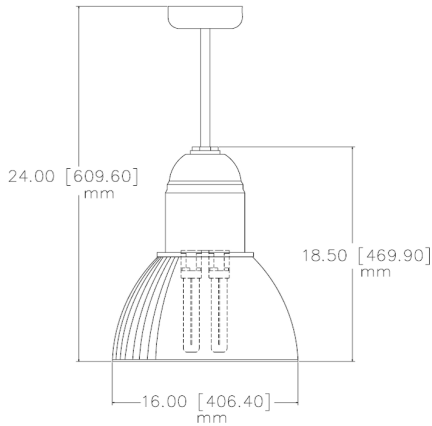


Decorative Series
Fluorescent 16" Low Bay

DC-PFLB16



- High impact fluted acrylic reflector
- Heavy gauge spun aluminum housing
- Standard white powder paint finish
- Pendant mount
- Electronic ballast standard
- Standard color white
- Factory pre wired
- UL 1598



CONSULT FACTORY FOR PHOTOMETRIC REPORT

Type	Cat. No.
_____	_____
Project: _____	
Notes: _____	

SERIES/SIZE	COLOR	LAMP	REFLECTOR	VOLTAGE
DC-PFLB16	WHT	1 OR 2 26t	CL	120/277
DC-PFLB16	WHT	1 OR 2 32T	CL	120/277
DC-PFLB16	WHT	1 OR 2 42T	CL	120/277
DC-PFLB16	WHT	1 OR 2 57T	CL	120/277
DC-PFLB16	WHT	1 OR 2 70T	CL	120/277

options

- | | |
|--|---|
| <input type="checkbox"/> BRZ - BRONZE POWDER COAT | <input type="checkbox"/> DF - DIFFUSE ACRYLIC |
| <input type="checkbox"/> BLK - BLACK POWDER COAT | <input type="checkbox"/> EM - EMERGENCY BALLAST (REMOTE) |
| <input type="checkbox"/> GRY - GRAY POWDER COAT | <input type="checkbox"/> ETS - EMERGENCY TRANSFER DEVICE * |
| <input type="checkbox"/> WHT - WHITE POWDER COAT | <input type="checkbox"/> DIMH - LUTRON HILUME DIM BALLAST 26 TO 70 WATT * |
| <input type="checkbox"/> P - PENDANT MOUNT 2FT HANG-STRAIGHT STD | <input type="checkbox"/> DIMA - ADVANCE MK 10 DIM BALLAST 26 TO 70 WATT * |
| <input type="checkbox"/> K12 - K12 LENS | <input type="checkbox"/> F - FUSE |
| <input type="checkbox"/> SAG - SAG ACRYLIC LENS | <input type="checkbox"/> * - CONSULT FACTORY |
| <input type="checkbox"/> WG - WIRE GUARD | <input type="checkbox"/> |

DC-FLB16 - _____ - _____ - _____ - _____
 TYPE LAMP REFLECTOR VOLTAGE OPTIONS

FLUORESCENT 16" LOW BAY