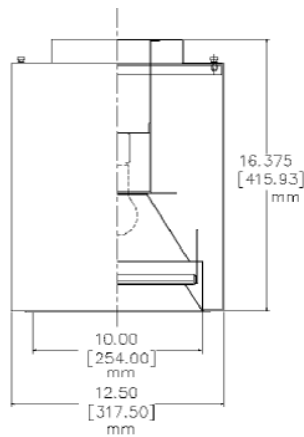


Surface Mount

10" Incandescent A Lamp lenslight Cylinder

C-IAL10



- C73 low brightness lens standard
- Heavy gauge Alzak® reflector
- Heavy gauge spun aluminum housing
- Textured white aluminum door
- Surface, wall and pendant mount available
- Standard colors: bronze, black and white
- Factory pre wired
- UL 1598
- For UL wet location consult factory

Type	Cat. No.
_____	_____
Project:	_____
Notes:	_____

MOUNT	SERIES/SIZE	LAMP	COLOR	DOOR/COLOR	LENS	VOLTAGE
C	IAL 10	60W A19IF	SPECIFY	PTWD	C73	120
C	IAL 10	75W A19IF	SPECIFY	PTWD	C73	120
C	IAL 10	100W A19IF	SPECIFY	PTDW	C73	120
C	IA L 10	150W A21IF	SPECIFY	PTDW	C73	120

options

- | | |
|--|---|
| <input type="checkbox"/> PBRD - PAINTED BRONZE | <input type="checkbox"/> BLK - BLACK POWDER COAT |
| <input type="checkbox"/> PWTD - PAINTED WHITE | <input type="checkbox"/> WHT - WHITE POWDER COAT |
| <input type="checkbox"/> PBLD - PAINTED BLACK | <input type="checkbox"/> S - SURFACE MOUNT |
| <input type="checkbox"/> BZBD - BRONZE BAFFLE | <input type="checkbox"/> W - WALL MOUNT |
| <input type="checkbox"/> BLBD - BLACK BAFFLE | <input type="checkbox"/> P - PENDANT MOUNT |
| <input type="checkbox"/> WTBD - WHITE BAFFLE | <input type="checkbox"/> C73 - PATTERN 73 LOW BRIGHTNESS LENS |
| <input type="checkbox"/> TP - TAMPER PROOF DOOR | <input type="checkbox"/> DO - DROP OPAL LENS |
| <input type="checkbox"/> MWT - MATTE WHITE TRIM FLANGE | <input type="checkbox"/> FF - FRESNEL LENS |
| <input type="checkbox"/> WET - UL WET | <input type="checkbox"/> 277 - CONSULT FACTORY |
| <input type="checkbox"/> BRZ - BRONZE POWDER COAT | <input type="checkbox"/> F - FUSE |

C-IAL10 - _____ - _____ - _____ - _____
 TYPE LAMP REFLECTOR VOLTAGE OPTIONS

10" SURFACE INCANDESCENT A LAMP LENS LIGHT CYLINDER