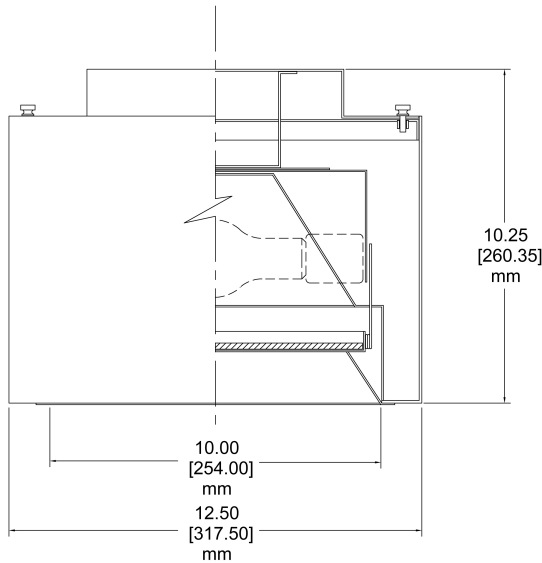


SURFACE SERIES

PROJECT _____
 TYPE _____

10" CYLINDER INCAN A-LAMP LENS LIGHT



FEATURES:

- LOW IRIDESCENT REFLECTOR
- HEAVY GAUGE SPUN ALUMINUM HOUSING
- SURFACE, WALL & PENDANT MOUNT AVAILABLE
- FACTORY PRE-WIRED FOR EASY INSTALLATION
- STANDARD COLORS: BLACK, BRONZE & WHITE
- FOR UL WET LOCATION CONSULT FACTORY

ORDER INFORMATION

MOUNT	SERIES	COLOR	LAMP	VOLTS	REFLECTOR	TRIM	LENS	OPTION	OPTION
	CYL-HIAL10								
S		MTL	60W	120	CL	CLW	CGL	F	CP
P		WHT	75W		CWW	MWT	C73		WET
W		BLK	100W				FNL		
		BRZ	150W						

OPTIONS

CL	CLEAR	MTL	BRUSHED/POLISHED ALUMINUM
CWW	CLEAR WALL WASH	WHT	WHITE POWDER COAT
CLW	CLEAR WHITE TRIM	BLK	BLACK POWDER COAT
MWT	MATTE WHITE TRIM	BRZ	BRONZE POWDER COAT
CGL	CLEAR GLASS LENS*	S	SURFACE MOUNT
C73	CORNING PATTERN 73 LENS	P	PENDANT MOUNT*
FNL	FRESNEL LENS	W	WALL MOUNT
F	FUSE	CP	CHICAGO PLENUM*
277	277 VOLTS*	WET	UL WET LOCATION*



* PLEASE CONSULT FACTORY

LIGHT ONE, INC. P.O. BOX 389 - PLAINFIELD, IL 60544 - 773-747-8100 - FAX 773-747-8778

WWW.LIGHTONEINC.COM